

Cable Organizer

Assembly Guide

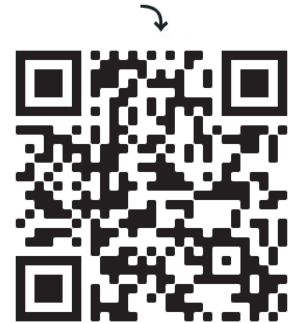
Branch

Caution

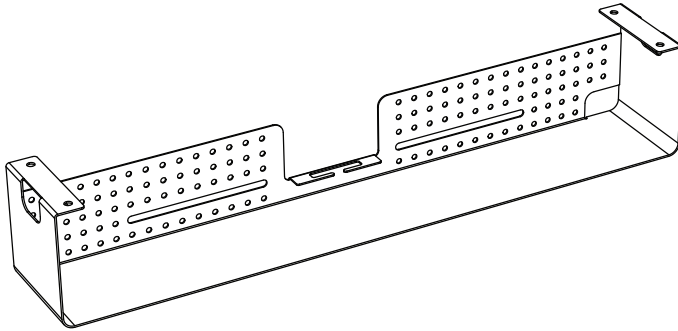
- Please read these instructions fully prior to assembly and verify that all components are present before you start the assembly process.
- If any parts are missing, broken, damaged, or worn, stop use of the product until factory authorized replacement parts are received.
- Pay attention to sharp corners and gently open and close the drawers to avoid personal injury.
- Use extra caution when assembling these products and have someone assist you. Do not change the specifications, modify the products, or use for any other purpose beyond its intended use.
- Every six months, please make sure all thumbscrews are securely tightened to ensure stability.
- Do not open or modify any of the components. Doing so risks electric shock and voids any warranty claims.
- Failure to follow these warnings could result in serious injury or death and void any warranty.
- Keep this manual for future reference.

The new way of working you've been waiting for.

Scan here for a digital copy
of your assembly guide.



Components



Cable Organizer
x1



Thumbscrew
x4

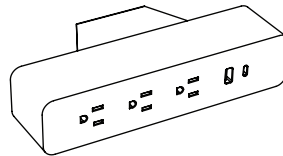


Cable Tie
x8

Optional Power



Thumbscrew
x1



Power Unit
x1
AC Power Outlets x3
USB A Port x1
USB C Port x1

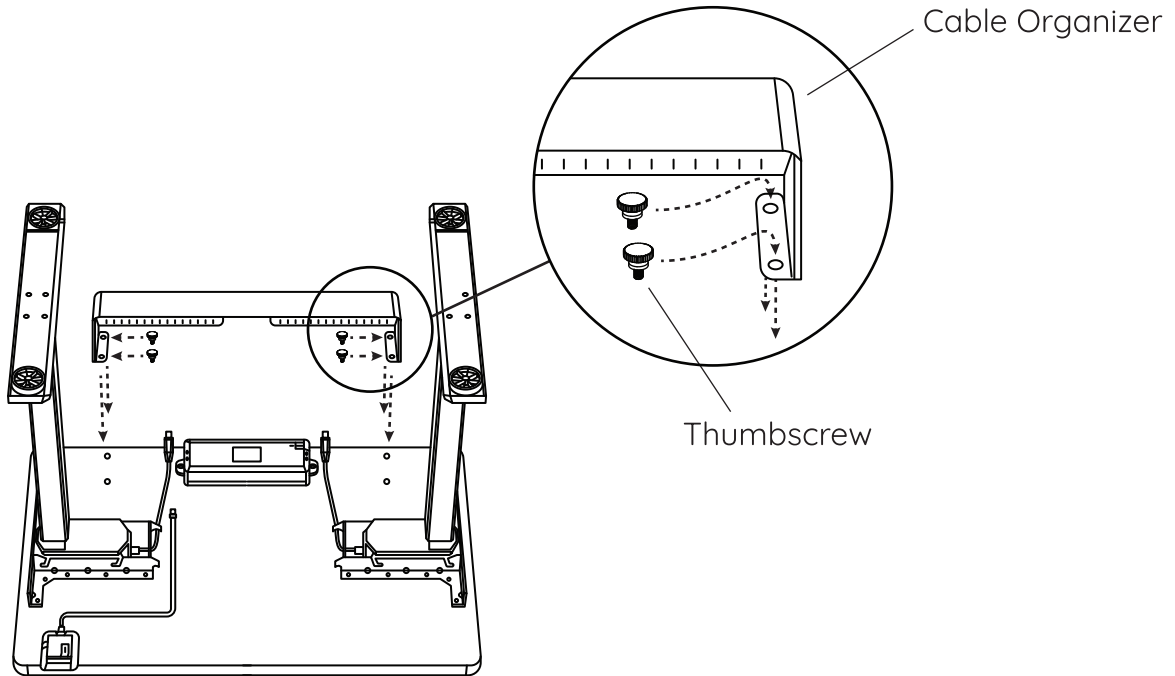
AC Power Outlets - 120 Volts AC, 12A max

USB A Port - 5V 3A, 12V 1.5A, 18w max

USB C Port - 5V 3A, 12V 1.5A, 18w max

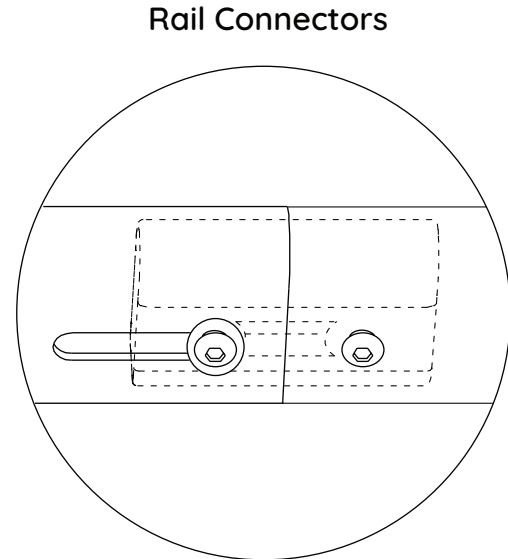
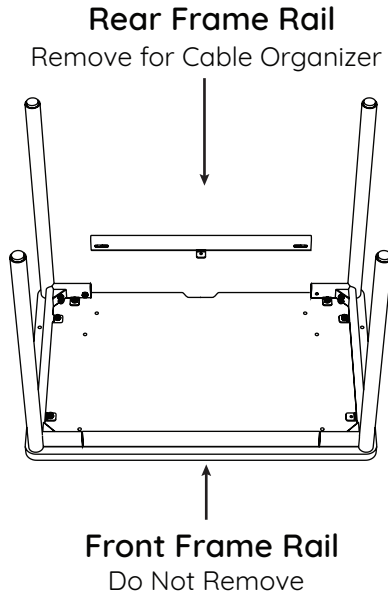
Both USB Ports Connected - 5V 3A, 15w max

1 Duo Desk



With your desk upside-down, position the **Cable Organizer** to the desktop so that the open end faces the front of the desktop as shown. Align the holes in the Cable Organizer to the threaded holes in the desktop and tightly secure with the **Thumb Screws** (x4).

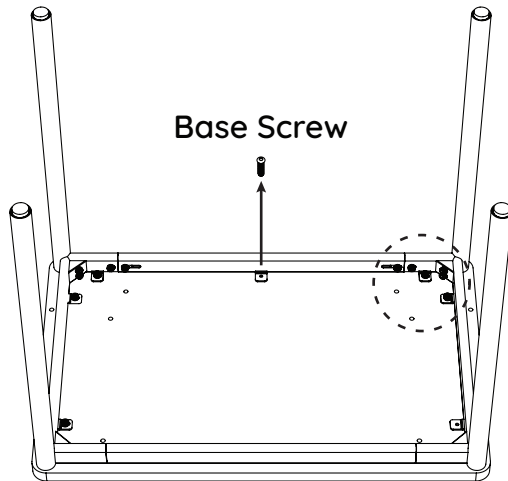
1 Daily Desk



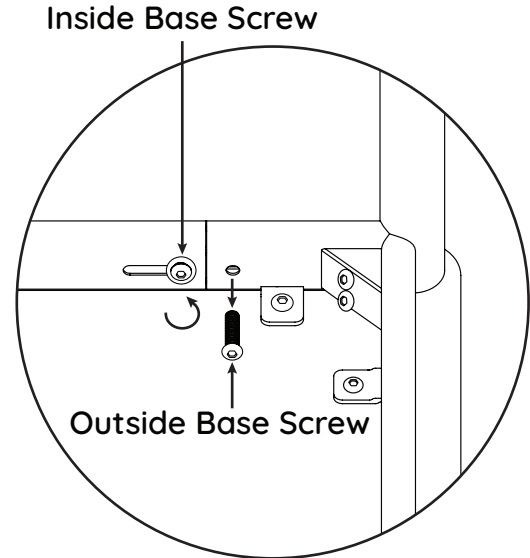
The Daily Desk uses modular **Frame Rails** with hidden **Rail Connectors**, one of which needs to be removed to install the **Cable Organizer**. Remove the **Rear Frame Rail** to install the Cable Organizer using the steps on the following pages.

2 Daily Desk

1

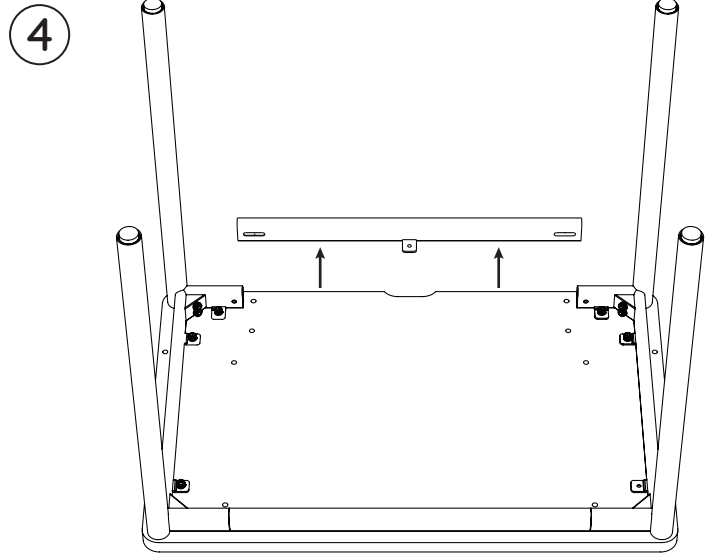
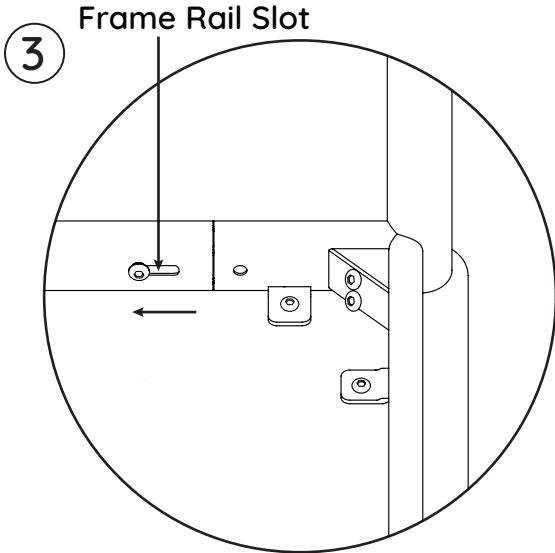


2



Using the **4mm Allen Key**, unscrew the **Base Screw** (x1) from the center of the rear facing **Frame Rail**. Next, unscrew and remove the outside **Base Screw** (x2) from the **Rail Connector**. Then loosen, but do not fully remove, the Inside **Base Screw** (x2) from the **Rail Connector**.

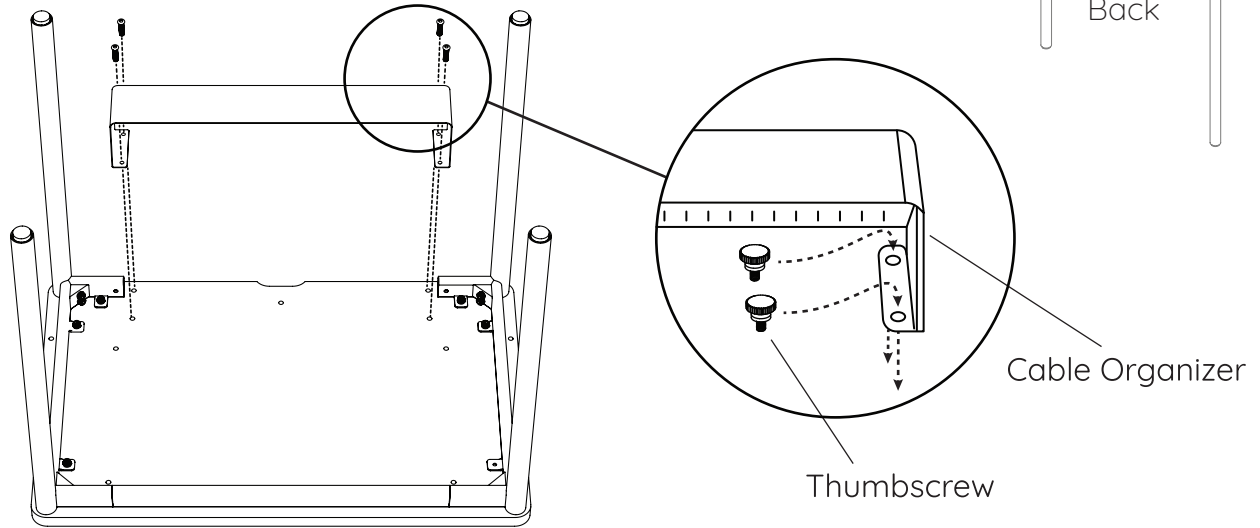
3 Daily Desk



Grab the **Inside Base Screw** and slide the **Rail Connector** completely to the other side of the **Frame Rail Slot**. Repeat on the other side of the **Frame Rail**. Next, remove the **Frame Rail** from the **Desktop**. Keep the rails stored after removal as to not lose any components.

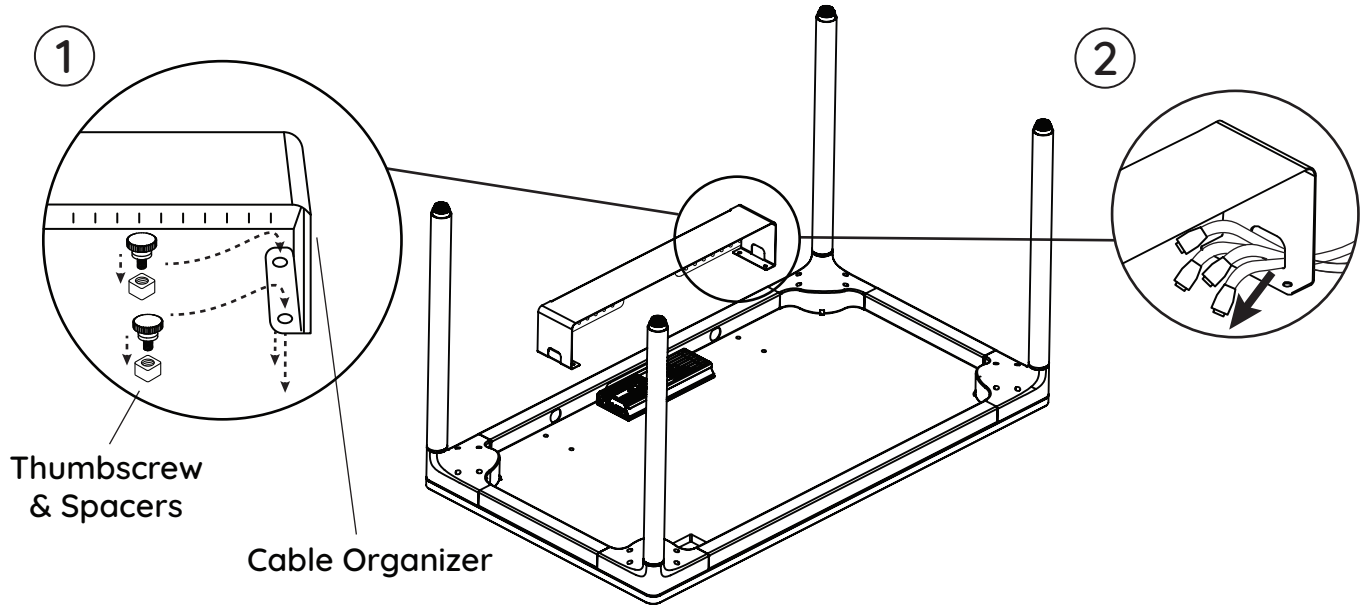
Branch Tip: If needed, apply light downward pressure on the end of the **Frame Rail**, directly above the **Frame Rail Slot** when sliding the **Rail Connector**.

4 Daily Desk



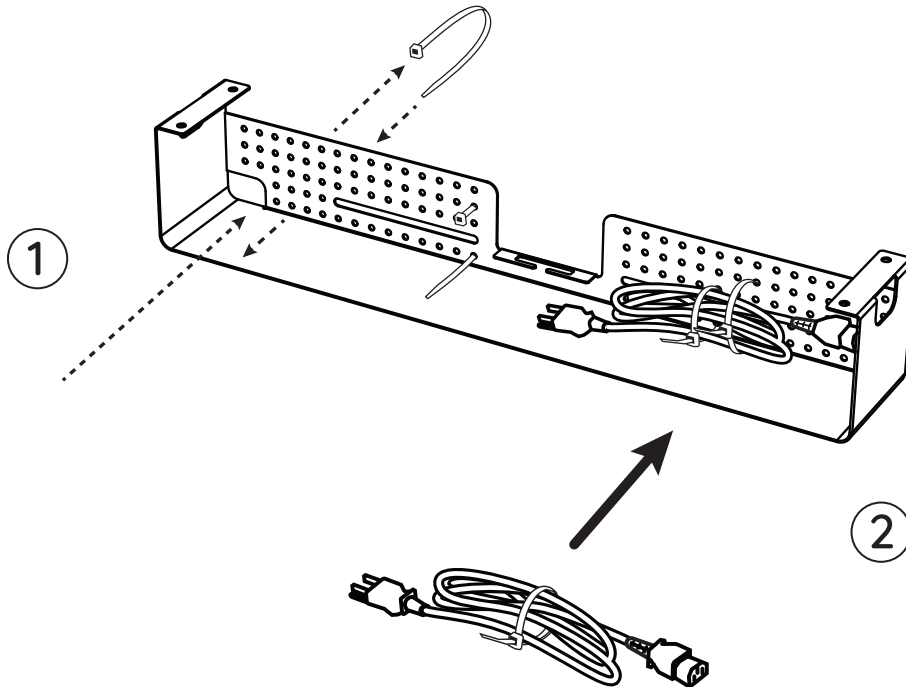
Position the **Cable Organizer** to the **Desktop** so that the open end faces the front of the **Desktop** as shown. Align the holes in the **Cable Organizer** to the threaded holes in the **Desktop** and tightly secure with the included **Thumbscrews** (x4).

1 Four Leg Standing Desk



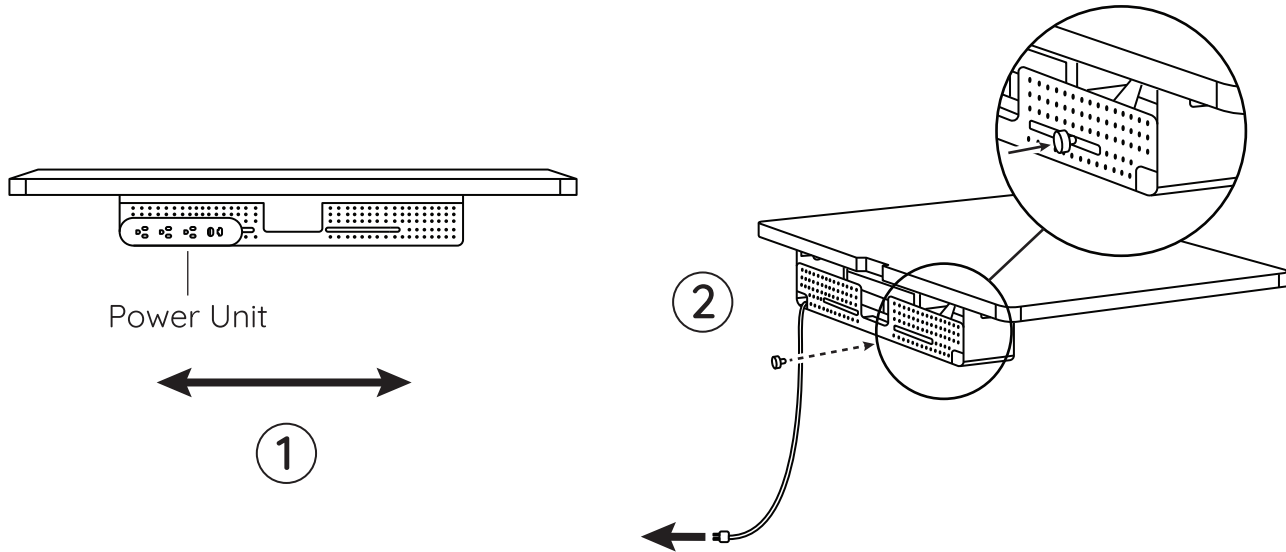
Position the **Cable Organizer** on to the underside of the **Desktop** so that the open end faces the front of the **Desktop** as shown. Align the holes in the **Cable Organizer** to the threaded holes in the **Desktop** and tightly secure with the **Thumbscrews** (x4) and **Spacers** (x4). Finally, route the Leg Cables through the top cutout tabs of the organizer.

Optional



The back panel of the **Cable Organizer** has many holes for securing your cables and keeping your desk organized. For a tidy look, insert a **Cable Tie** (x8) through to the back of the **Cable Organizer** and then back to the front. Bundle and tie groups of cables together and then affix to the back panel using the pre-inserted Cable Tie. Repeat as needed.

1 Cable Organizer Power

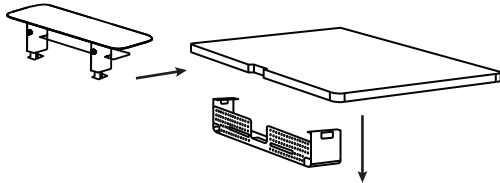


Install the **Power Unit** on the left or right side of the **Cable Organizer**. Depending on your setup, the Power Unit can be rotated so that the USB outlets are on the right or left side. Attach the Power Unit to the Cable Organizer using the **Thumb Screw** (x1). Note: the Thumb Screw fits into the adjustable slot of the Cable Organizer. Connect the **Power Cord** to the nearest outlet.

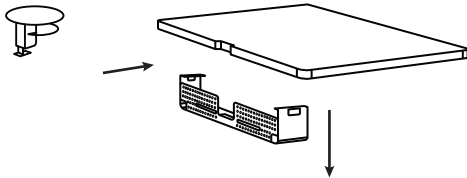
1 Monitor Stand / Desk Perch

1

Monitor Stand

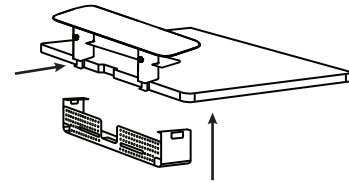


Desk Perch

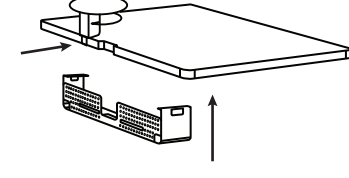


2

Monitor Stand



Desk Perch



If you purchased a **Monitor Stand** or **Desk Perch**, prior to attaching, detach the **Cable Organizer** using the **Thumbscrews** (x4). Re-Attach the **Cable Organizer** with the **Thumbscrews** after **Monitor Stand** or **Desk Perch** Installation.

Contact

Have a question, comment, or suggestion?

hello@branchfurniture.com
branchfurniture.com

V1.0-2025-02-25

Branch