



## MATERIALS

**Performance frame:** choose between a buttery soft and breathable mesh, vegan leather, or semi-aniline dyed real leather.

**High density foam cushion:** molded cushion evenly distributes weight for a comfortable sit.

**Aluminum base:** Powder-coated aluminum for a lasting foundation of work.

**Scratch-proof casters:** durable nylon ideal for multiple floor types.

## RETURN POLICY

Like-new Branch products in their original packaging can be returned for a refund within 30 days of purchase.

## WARRANTY

7-year warranty. View our full policy at [branchfurniture.com/pages/returns-and-warranty](https://branchfurniture.com/pages/returns-and-warranty).

## CLEANING AND CARE

**Base and frame:** use a gentle, non-ammonia cleaning product to shine and remove scuffs.

**Seat:** use a furniture spot-cleaner to remove any stains from your chair. Avoid bleach and water-based cleaning products to prevent discoloration.

# Branch

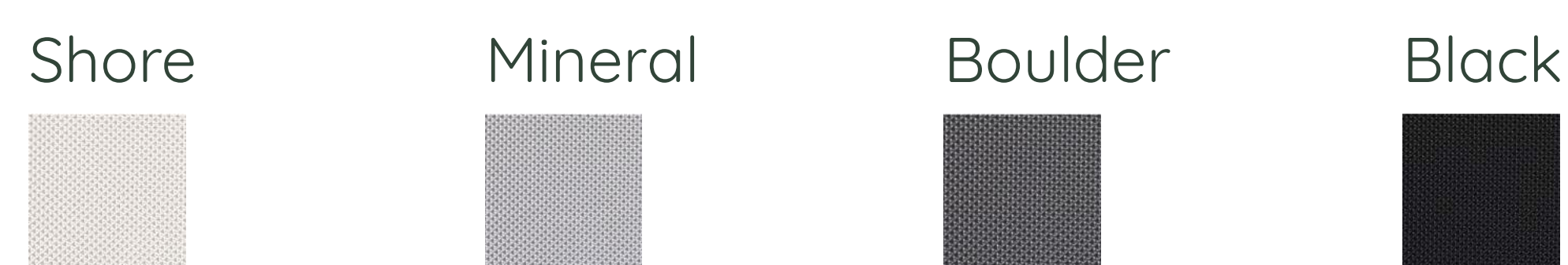
# Ergonomic Chair Pro

## OVERVIEW

Ergonomic Chair Pro improves upon everything that's made our Ergonomic Chair the best-rated office chair on the internet. Featuring exclusive adjustments including 5D armrests, an improved headrest, more supportive lumbar, forward tilt, and a wider assortment of premium materials, the Pro offers superlative support for every body at an unmatched price.

## SEAT COLORS

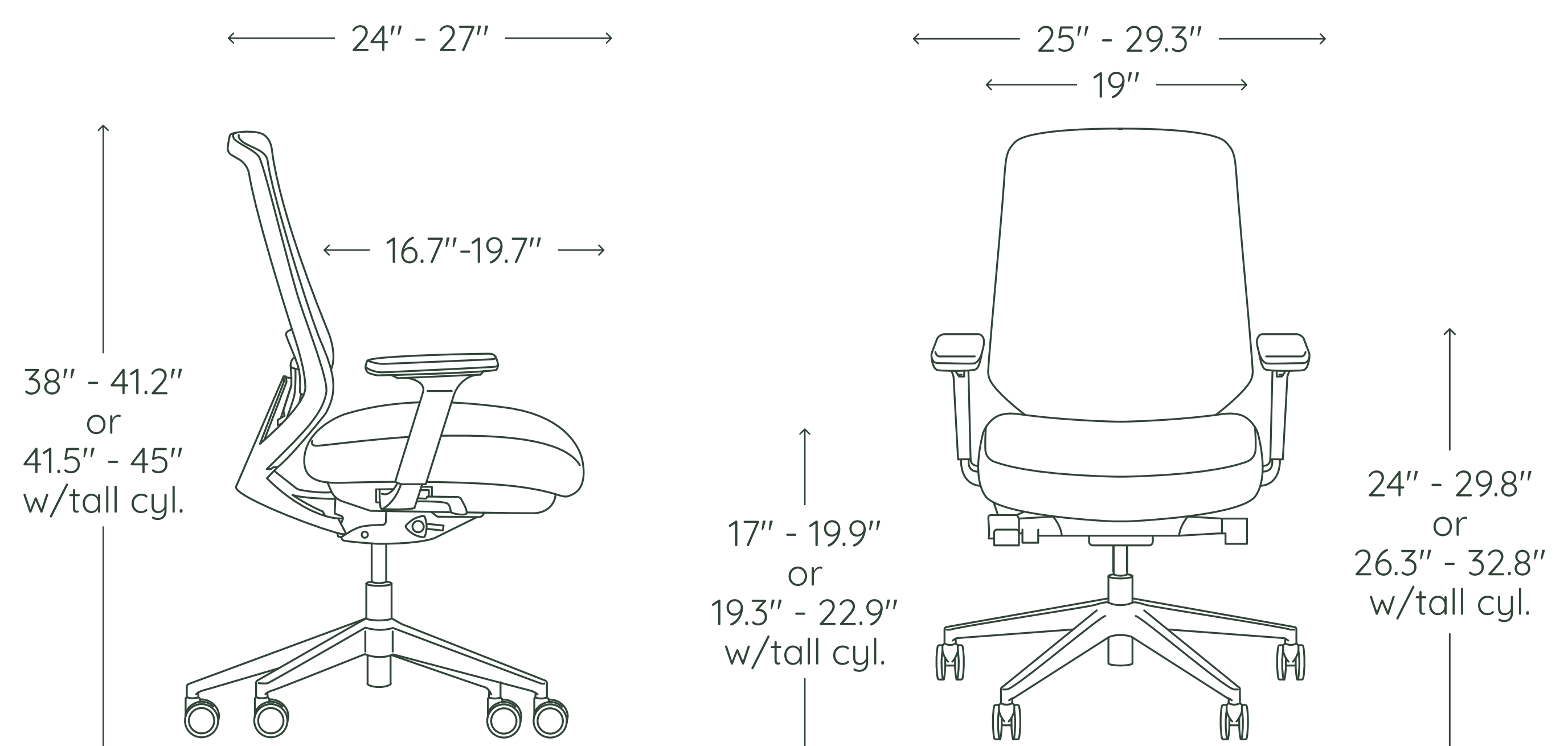
### Nylon Mesh



### Vegan Leather



### Leather



## SPECIFICATIONS

**Overall:** 25"W x 24"D x 38"-41.2"H or 25"W x 24"D x 41.5"-45"H

**Armrest height:** 24"-29.8" or 26.3"-32.8"

**Chair height:** 38"-41.2" or 41.5"-45"H

**Tilt range:** 26°

**Seat height:** 17"-19.9" or 19.3"-22.9"

**Max capacity:** 275 lbs

**Seat depth:** 16.7"-19.7"

**Assembled weight:** 42 lbs

## OPTIONAL ADD ONS



### Ergonomic Pro Headrest

Adjustable mesh headrest, ideal for sitters who alternate between reclining and upright posture.



### Tall Cylinder

An extended height cylinder for Ergonomic Chair Pro that accommodates people over 6' tall.