



MATERIALS

Laminated plywood: 9-ply laminated plywood and HPL top and bottom surfaces, with rounded corners and curved edge for increased comfort.

Aluminum base: available in powder coated and anodized light and dark finishes.

Rubber feet: die-cut rubber feet for enhanced surface traction and stability.

RETURN POLICY

Like-new Branch products in their original packaging can be returned for a refund within 30 days of purchase.

WARRANTY

3-year warranty. View our policy at branchfurniture.com/pages/returns-and-warranty.

CLEANING AND CARE

Top: use a soft cloth soaked in warm, soapy water and follow with a streak-free glass cleaner.

Frame: wipe off dust with a soft cloth, and use a mild soap with water to remove stains and debris.

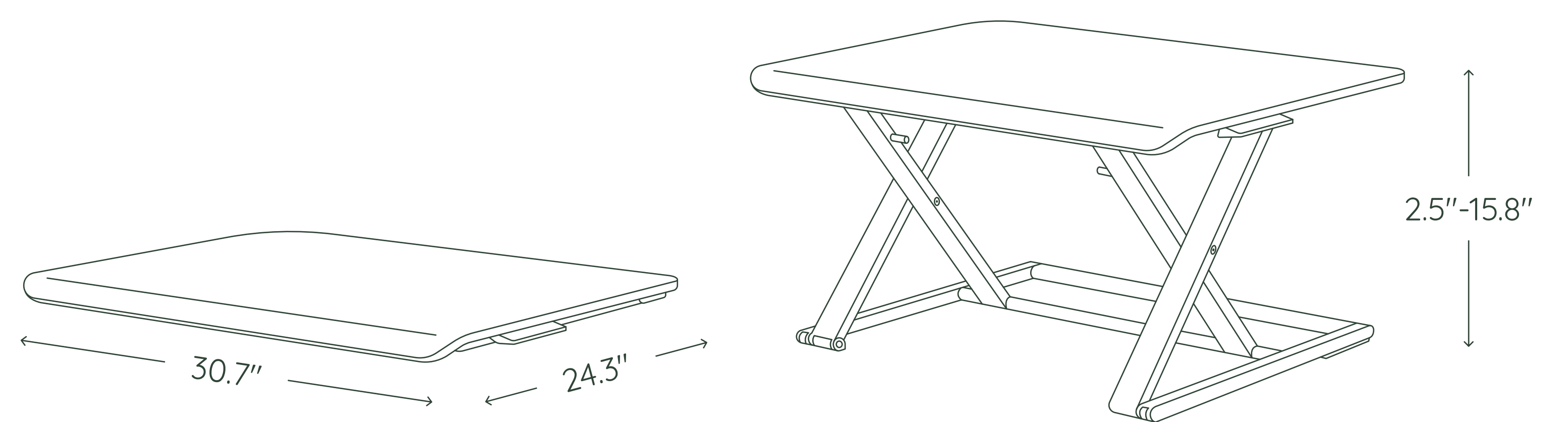
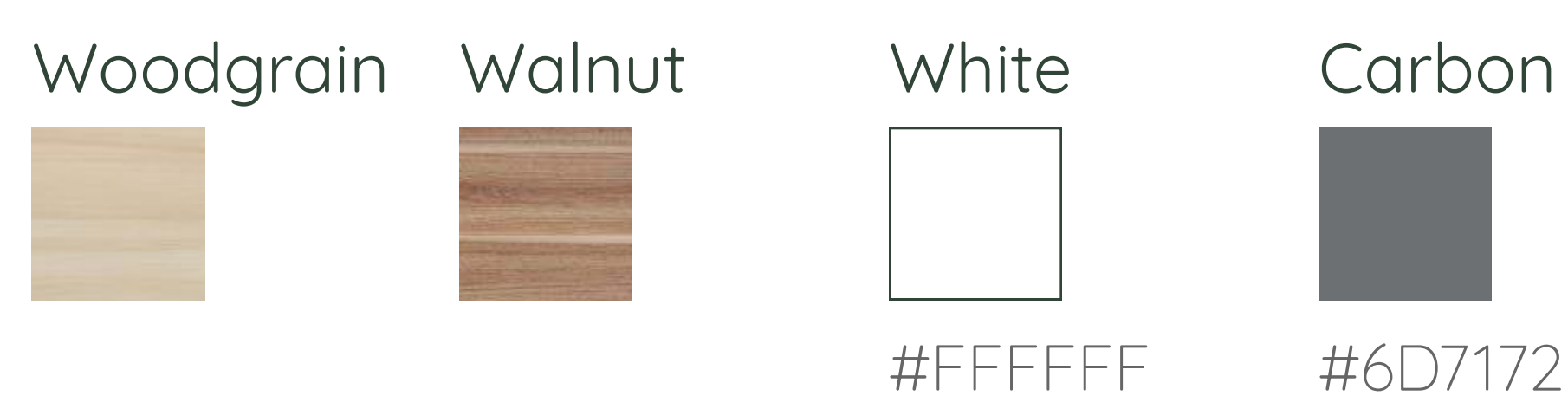
Desk Riser

OVERVIEW

As innovative in its architecture as it is ergonomic in its function, the Desk Riser brings sit-stand capabilities to anywhere work gets done. Its breakthrough open-frame design and clean aesthetic seamlessly integrate into any environment, while the spring-assisted lift mechanism with dual assist ensures smooth transitions between sitting and standing positions.

Designed with thoughtful details like a comfort edge that reduces pressure points and an optional monitor shelf, it's a revolutionary solution that enhances both ergonomics and productivity without compromising on design.

COLORS



SPECIFICATIONS

Overall: 31"W x 24"D x 2.5"H

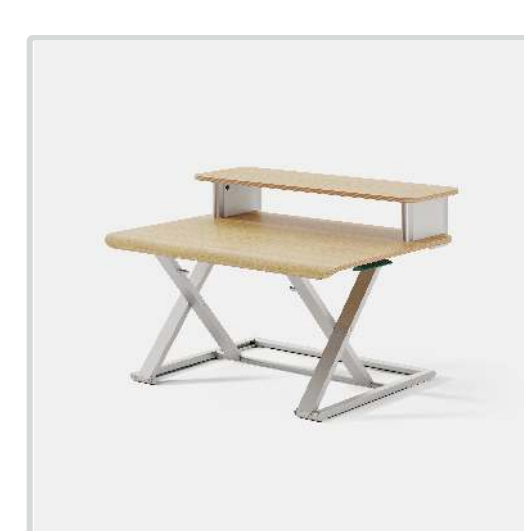
Extended: 31"W x 24"D x 15.8"H

With Optional Shelf: 31"W x 24"D x 20.8"H

Assembled weight: 22.5 lbs

Max capacity: 26 lbs

OPTIONAL ADD ONS



Desk Shelf

Optional monitor shelf elevates screens for a complete ergonomic setup.