



Four Leg Standing Desk

OVERVIEW

As captivating as it is classic in its design, the Four Leg Standing Desk blends into any room or workspace with its familiar four-leg silhouette. But it conceals a remarkable innovation: with a gentle touch of a button, four hidden motors rise in unison to allow you to seamlessly transition between sitting and standing. Its innovative and discreet four-motor design, minimal steel frame, advanced sit-stand controls, and elegant plywood edge desktop make for a first-of-its-kind standing desk that feels completely original yet approachable.

MATERIALS

Plywood and HPL top: repels dings and spills in style, with rounded corners and exposed edges.

Powder-coated steel legs: Smooth steel and aluminum frame in a powder coated finish for long-lasting use.

RETURN POLICY

Like-new Branch products in their original packaging can be returned for a refund within 30 days of purchase.

WARRANTY

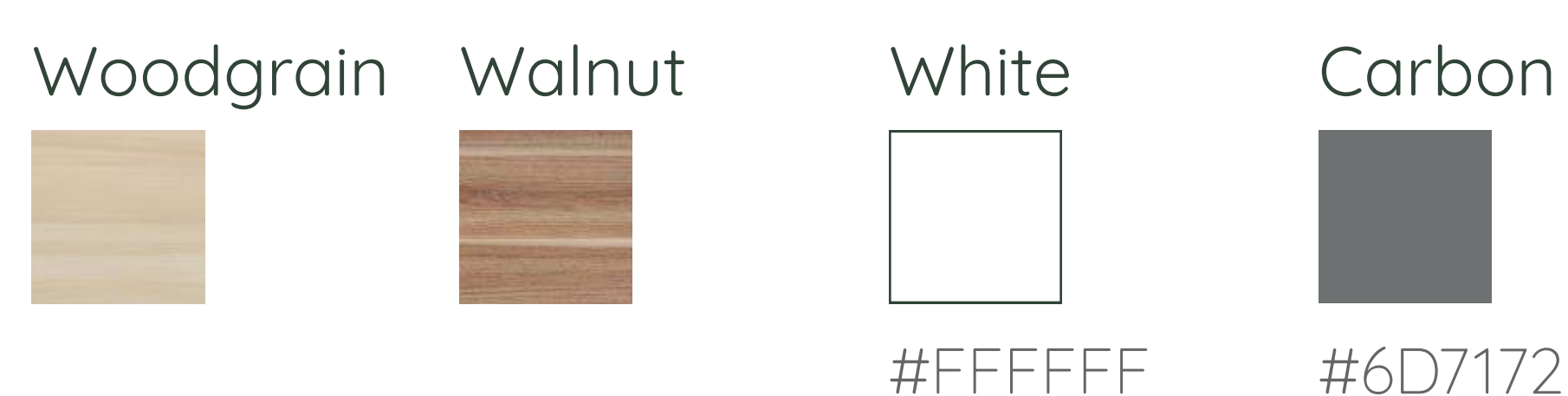
10-year warranty. View our full policy at branchfurniture.com/pages/returns-and-warranty.

CLEANING AND CARE

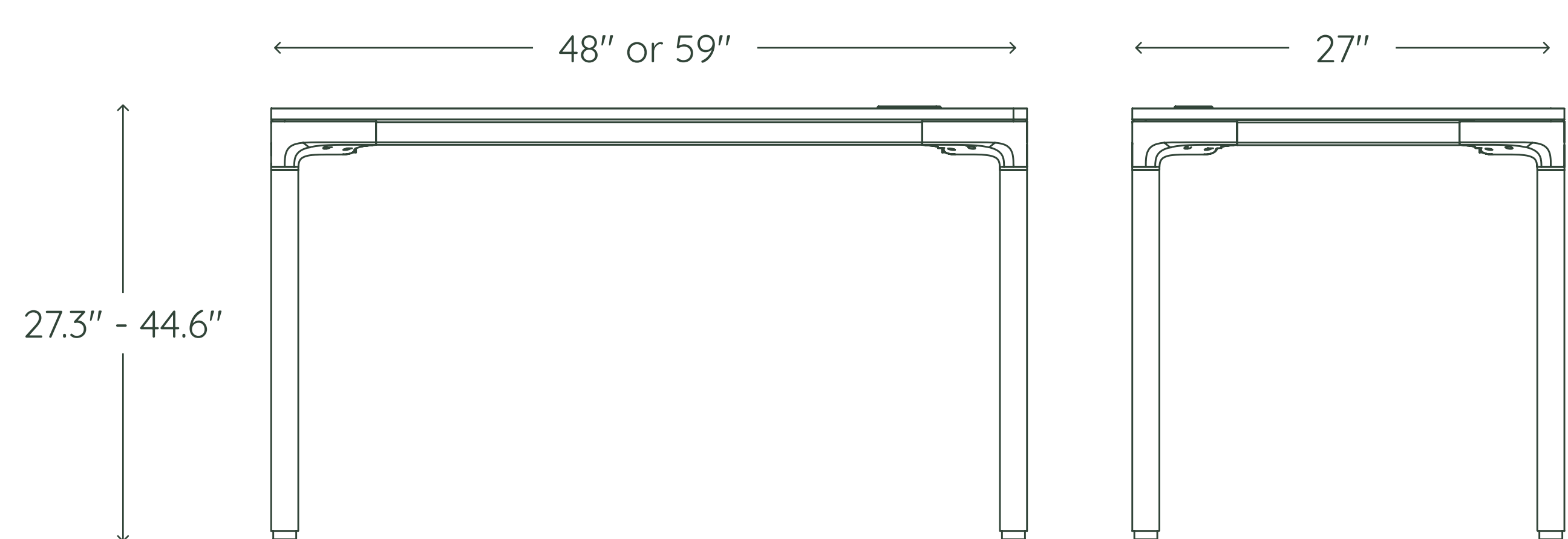
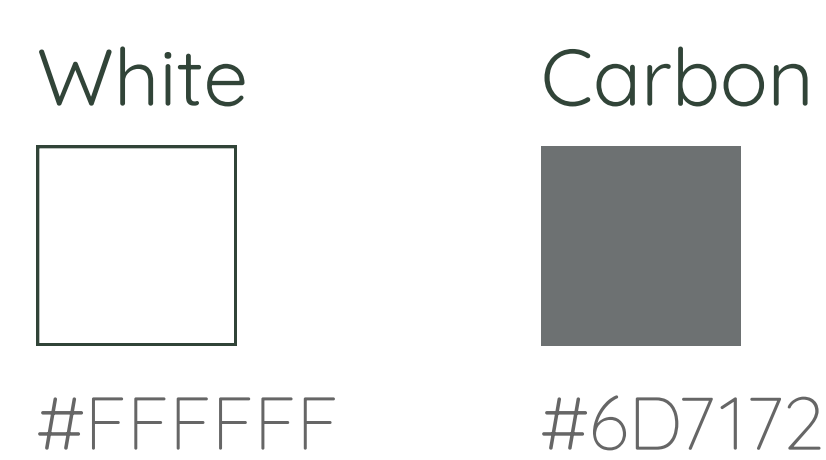
Top: use a soft cloth soaked in warm, soapy water and follow with a streak-free glass cleaner.

Frame: wipe off dust with a soft cloth, and use a mild soap with water to remove stains and debris.

TOP COLORS



BASE COLORS



SPECIFICATIONS

48x27: 48"W x 27"D x 27.3"-44.6"H

59x27: 59"W x 27"D x 27.3"-44.6"H

Lift range: 17.3" (27.3"-44.6")

Memory: 3 presets

Operating speed: 1.25 in/s

Operating noise: <53dB

OPTIONAL ADD ONS



Cable Organizer

Keep wires tidy; available with or without power.

Branch