



Ergonomic Chair (Open Box)

OVERVIEW

Designed for support and adaptability, the Ergonomic Chair puts you at the center of work. Its lumbar support encourages a healthy posture while its industry-leading eight points of adjustment allow for anyone to find their fit. Wrapped in a breathable backrest that keeps you cool throughout the day, the Ergonomic Chair adds a minimalist, modern touch whether you're in the home or open office. Certified Greenguard Gold for low VOC emissions.

MATERIALS

Double-woven mesh: nylon weave eases pressure points with breathable support.

High density foam cushion: contoured cushion evenly distributes weight for a comfortable sit.

Polymer frame: built from impact-resistant polymer and nylon fill.

Aluminum base: anodized aluminum for a lasting foundation of work.

Scratch-proof casters: durable nylon ideal for multiple floor types.

RETURN POLICY

Open Box products are final sale, and not eligible for return.

WARRANTY

3-year warranty. View our full policy at <https://www.branchfurniture.com/pages/warranty>.

CLEANING AND CARE

Base and frame: use a gentle, non-ammonia cleaning product to shine and remove scuffs.

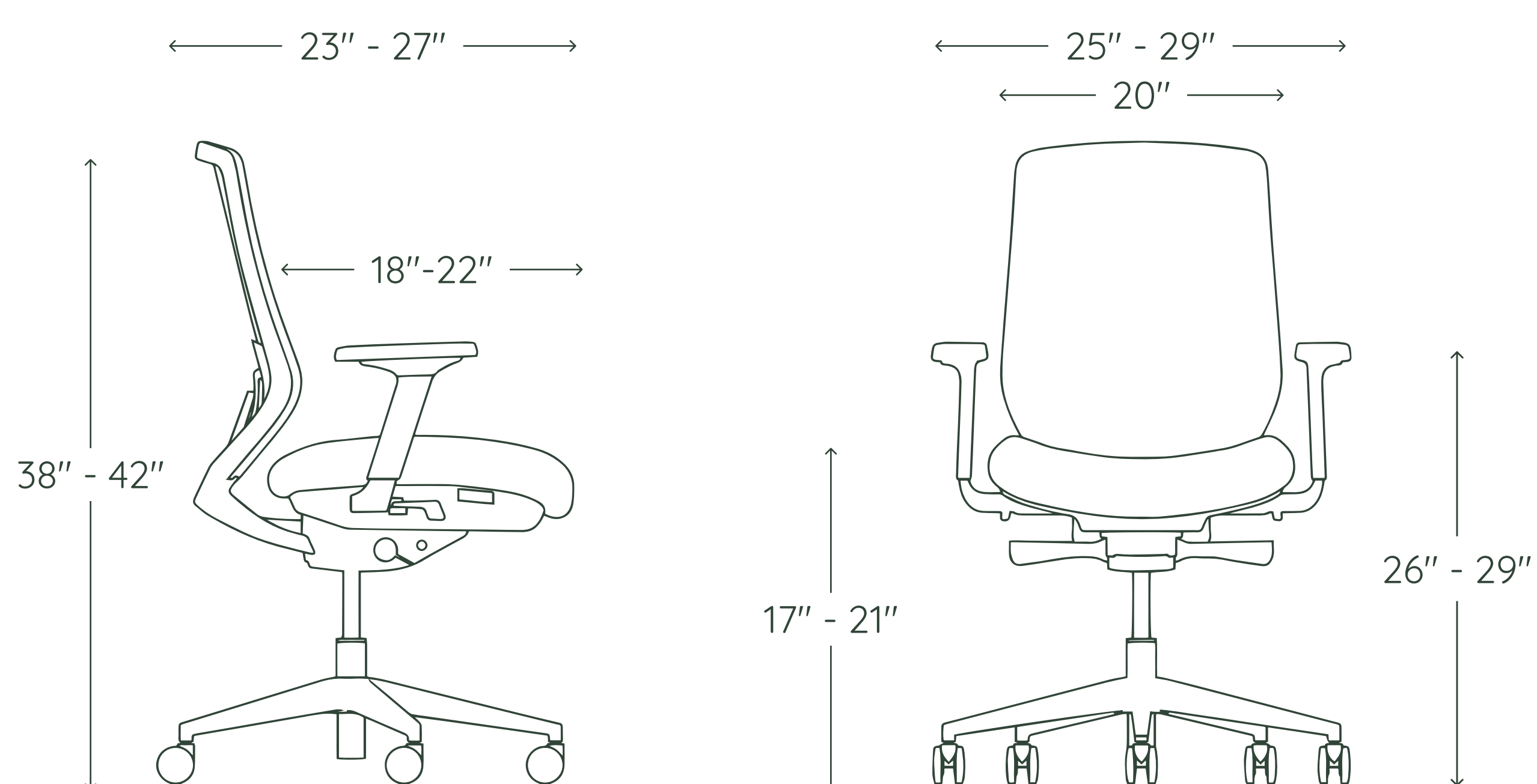
Seat: use a furniture spot-cleaner to remove any stains from your chair. Avoid bleach and water-based cleaning products to prevent discoloration.

FABRIC COLORS

Black #111111	Gray #A4A4A4	Sand #D2C4AF	Pebble #D3D2D0
Graphite #646566	Light Blue #BEDBEC	Poppy #DA5F4D	Baltic #354E93

FRAME COLORS

Black #111111	White #FFFFFF
------------------	------------------



SPECIFICATIONS

Overall: 25"W x 24"D x 38"-42"H

Chair height: 38"-42"

Seat height: 17"-21"

Seat depth: 18"-22"

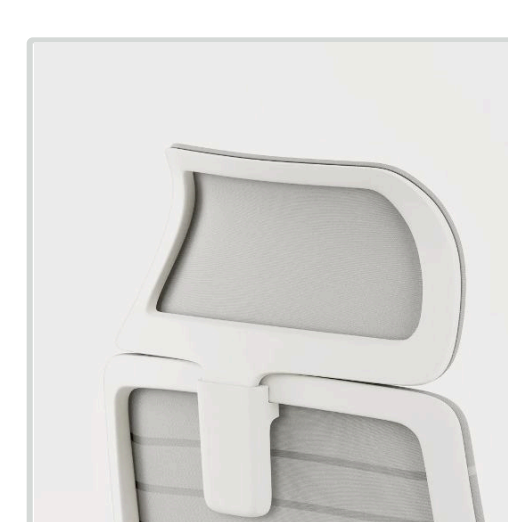
Armrest height: 26"-29"

Tilt range: 20°

Max capacity: 275 lbs

Assembled weight: 35 lbs

OPTIONAL ADD ONS



Ergonomic Headrest (Open Box)

Adjustable mesh headrest, ideal for sitters who alternate between reclining and upright posture.

Branch