

# Clamp-On Power

Assembly Guide

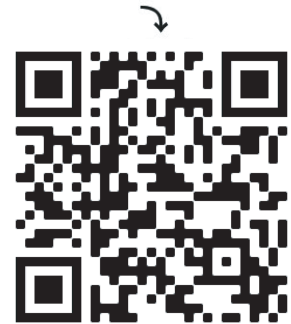
**Branch**

# Caution

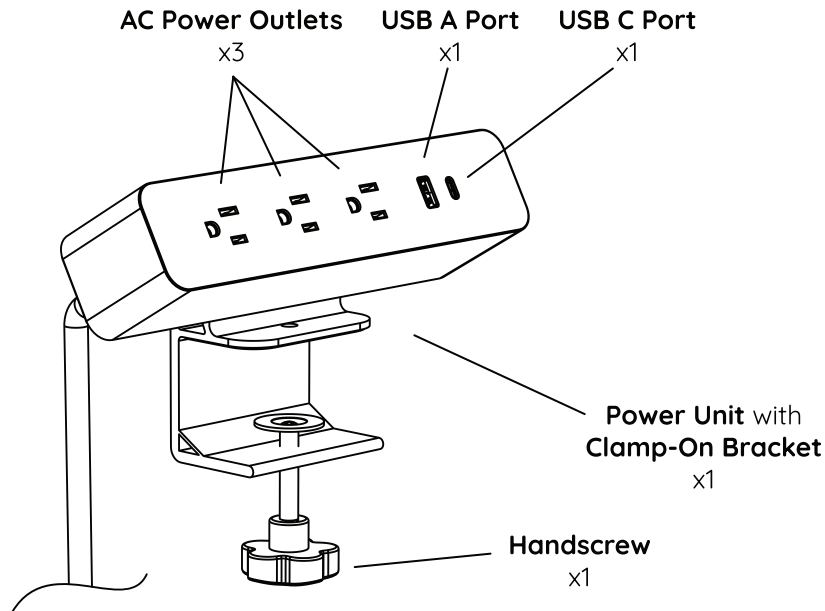
- Make sure to read the guide completely before assembling.
- Check that all components are present before you start the assembly process.
- Use extra caution when installing this product.
- Keep children away from desk power components. There is risk of injury and electric shock.
- Do not open, modify, or change the specifications of this product for any other purpose beyond its intended use. Doing so risks electric shock and voids any warranty claims.
- Keep this manual for future reference.

# The new way of working you've been waiting for.

Scan here for a digital copy  
of your assembly guide.



# Specifications



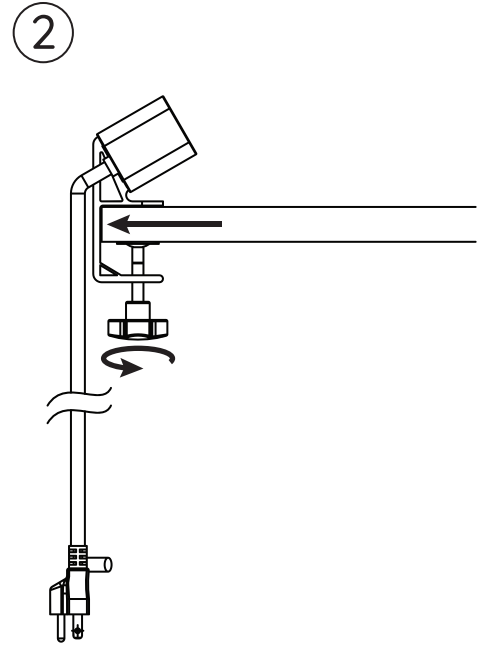
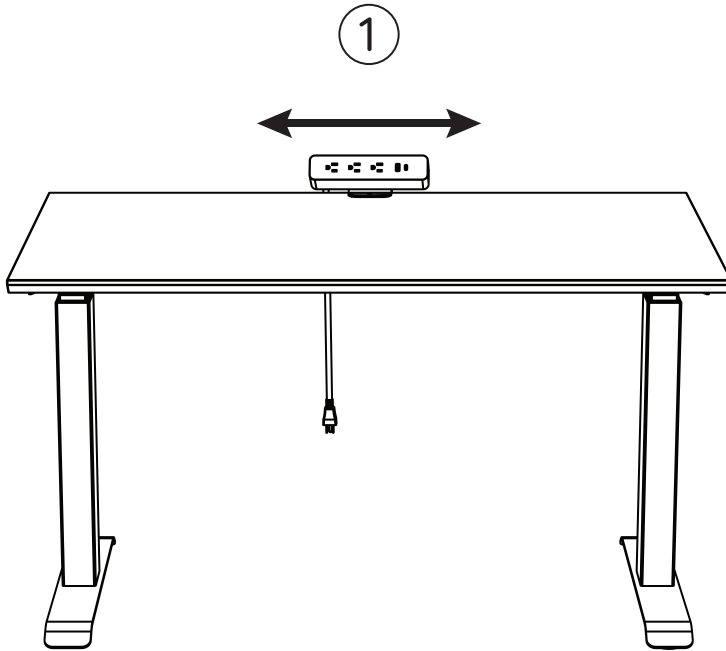
**AC Power Outlets** - 120 Volts AC, 12A max

**USB A Port** - 5V 3A, 12V 1.5A, 18w max

**USB C Port** - 5V 3A, 12V 1.5A, 18w max

**Both USB Ports Connected** - 5V 3A, 15w max

# 1



Position the **Power Unit** to the preferred location on your desktop. Make sure that the **Clamp-On Bracket** is pushed as close to the edge of the desktop as possible. Tighten the **Hand Screw** until the clamp is secure. Connect the **Power Cord** to the nearest outlet.

# Contact

Have a question, comment, or suggestion?

[hello@branchfurniture.com](mailto:hello@branchfurniture.com)  
[branchfurniture.com](http://branchfurniture.com)

# Branch