

Conference Table (6-8)

Assembly Guide

Branch

The new way of working you've been waiting for.

Scan here for a digital copy
of your assembly guide.

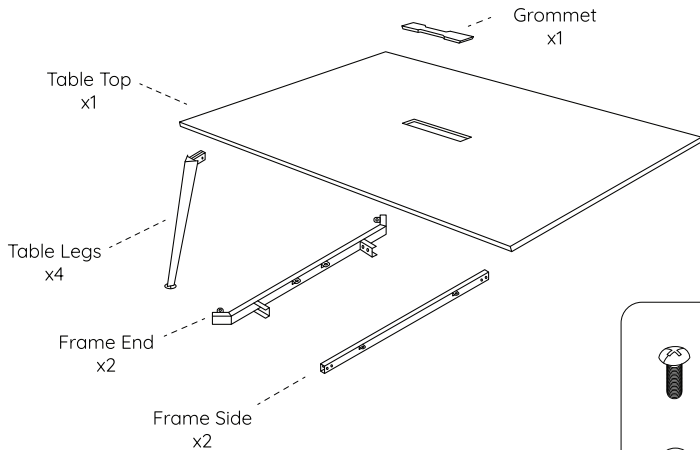




Caution

- Please read these instructions fully prior to assembly and verify that all components are present before you start the assembly process.
- Two-person assembly required.
- Do not change the specifications, modify this product, or use for any other purpose beyond its intended use as a table.
- If any parts are missing, broken, damaged, or worn, stop use of the product until Branch authorized replacement parts are received.
- Do not sit or stand on the table frame. Do not crawl or lie under the table frame.
- This product contains optional electrical components and the risk of electric shock. Keep dry and away from moisture.
- Do not open or modify any of the power components. Doing so risks electric shock and voids any warranty claims.
- Failure to follow these warnings could result in serious injury or death and void any warranty.
- Keep this guide for future reference.

Components

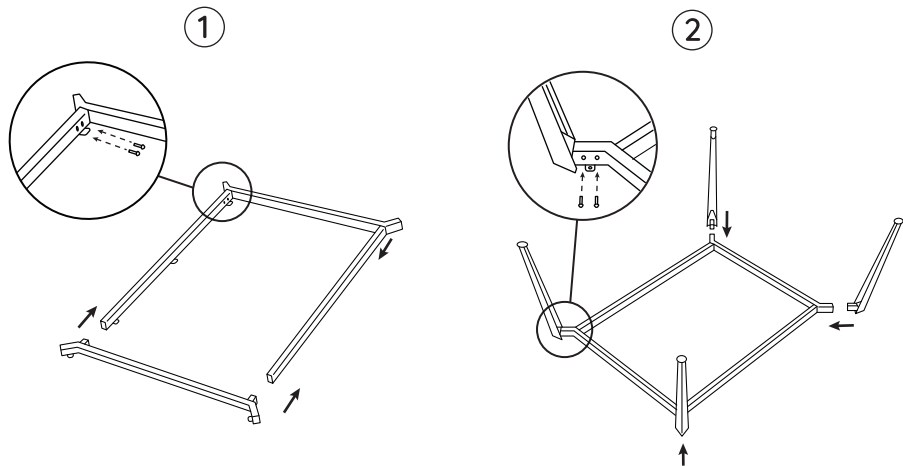


Frame Screws
x20



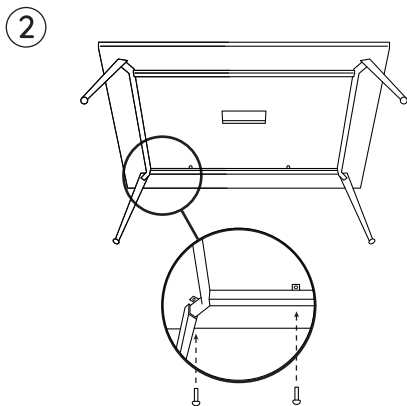
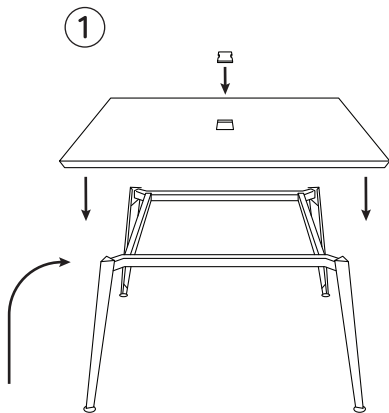
Table Top Screws
x8

1



Carefully lay the Frame Side and End components upside-down on a large flat surface, making sure the attachment eyelets are facing down as shown. Connect the Frame Ends (x2) to the Frame Sides (x2) and tightly secure with the Frame Screws (x8). Insert the Legs (x4) into the Frame Ends and tightly secure with the Frame Screws (x8).

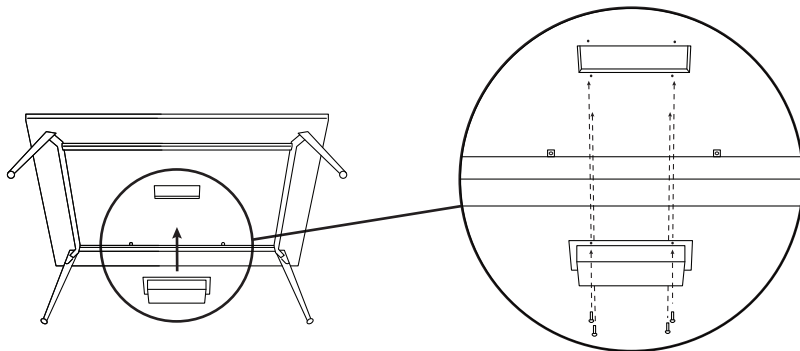
2



With a friend, carefully flip the assembled frame right-side up. Position the Table Top (x1) on the frame, aligning the Frame eyelets with the Table Top pilot holes. Install the Grommet (x1) into the Table Top. From underneath the table, tightly secure the Table Top to the Frame using the Frame Screws (x10). It helps to have a friend holding the Table Top from above to prevent movement.

Optional Elements

Table Power



Optional:

Tightly secure the Power Box to the bottom of the table top using the included Screws (x4).
Connect the power cord to the nearest outlet.

Contact

Have a question, comment, or suggestion?

hello@branchfurniture.com
branchfurniture.com

Branch