

# Desk Perch

User Guide

**Branch**

# The new way of working you've been waiting for.

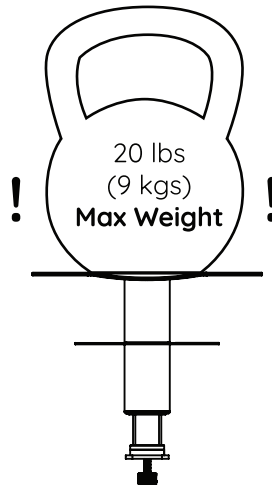
Scan here for a digital copy  
of your assembly guide.



# Caution

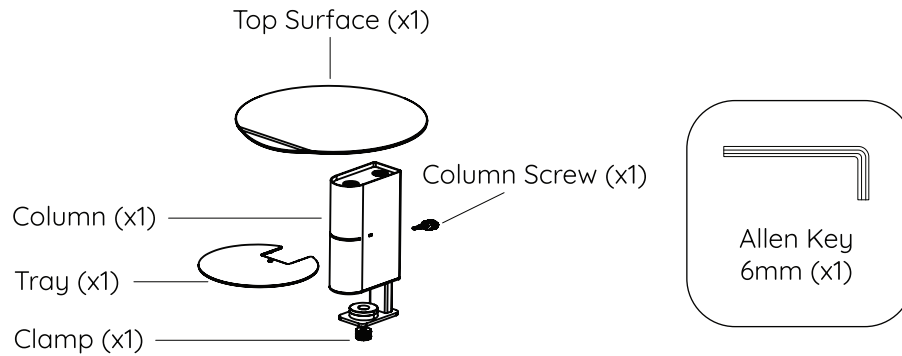
- The Desk Perch should only be attached to a flat, solid, and stable Desk Surface. Never attempt to attach to surfaces that the Desk Perch cannot fully clamp to. Always test the surface to be used before setting up the Desk Perch
  - Do not change the specifications or modify this product for any other purpose beyond its intended use as a Desk Perch.
  - Never sit or stand on the Desk Perch
  - Do not place more than 20 lbs (9 kg) on the Desk Perch
  - If any parts are missing, broken, damaged, or worn, stop use of the Desk Perch until Branch Authorized replacement parts are received.
  - Be careful to ensure items fit firmly on the Desk Perch Top surface, items on top of the perch are placed at your own risk.
  - The Desk Perch can fit desks with an exposed top surface thickness of 0.75”-2.35”
  - Failure to follow these warnings may result in serious injury.
  - Keep this manual for future reference.
- 
- If you are attaching your Desk Perch on a Branch **Daily Desk**, please follow the Daily Desk Assembly Guide to remove the rear rail prior to attaching the Perch
  - If you are attaching your Desk Perch to a Branch Desk with a **Cable Organizer** attached, you will need remove the Cable Organizer during the Desk Perch attachment process, then re-install your Cable Organizer using the product Assembly Instructions

# Weight Limits



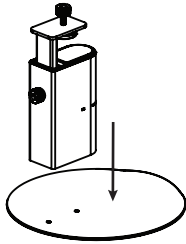
Desk Perch

# Components

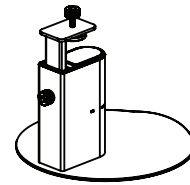


# 1

①



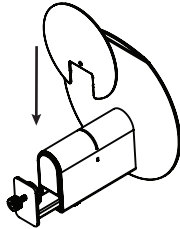
②



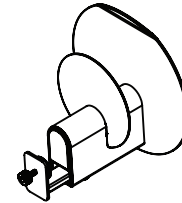
On a clean, flat surface, lay the **Top Surface** (x1), felt facing down. Align the **Column** (x1) over the holes as shown and push to connect. The **Column** should “snap” into position.

# 2

1

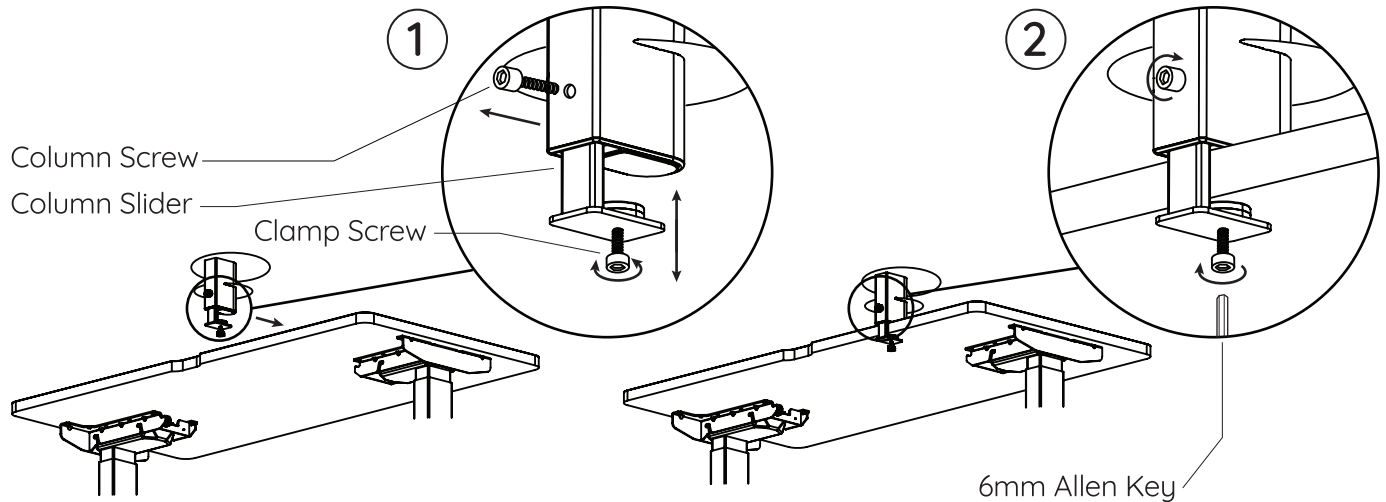


2



Carefully lay the assembled **Top Surface** and **Column** onto its backside. Align the **Tray** into slits on the **Column** and firmly insert. The **Tray** should “snap” into position.

# 3



Remove the **Column Screw** (x1) and adjust the Column height to the position that closest matches your desktop's thickness. Securely tighten the **Column Screw** with the **6mm Allen Key**. Position the **Desk Perch** onto your desk surface and securely tighten the **Clamp Screw** using the **6mm Allen Key**.

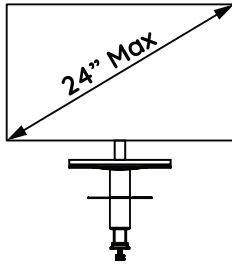
The **Desk Perch** can fit desks with an exposed top surface thickness of 0.75"-2.35"



# User Guide

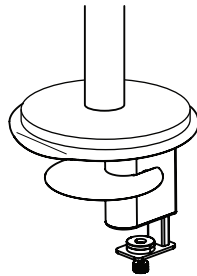
## Screen Sizing

Screens up to 24" (must have round stand bases 8" or less in diameter)

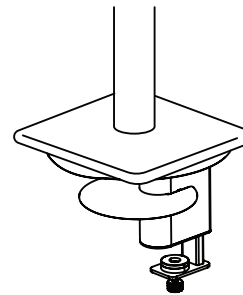


## Top Surface Area

Note: Be careful to ensure monitor bases and other items fit firmly on the Monitor Stand Top surface, items on top of the stands are placed at your own risk.



Firmly Fit



Overhanging Items

# Contact

Have a question, comment, or suggestion?

hello@branchfurniture.com  
branchfurniture.com

# Branch