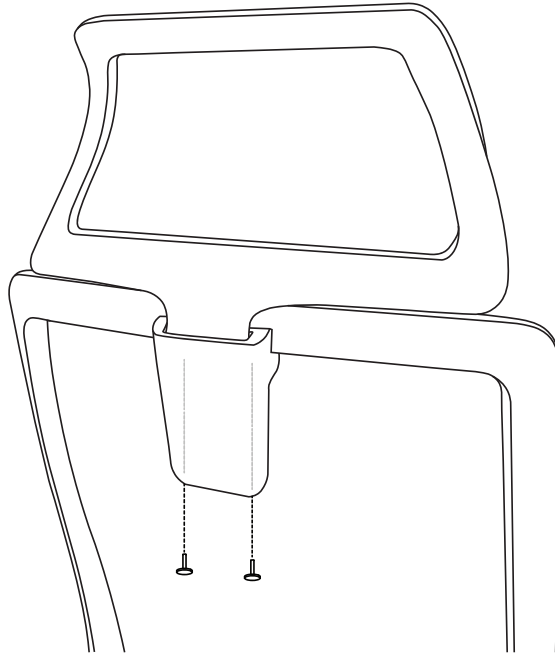


# Ergonomic Chair Headrest

Assembly Guide

**Branch**





Attach Headrest to the top rear of the chair's back frame. Align the holes on the headrest base to the seat frame, insert both Screws (x2), and tighten with Allen Key.

# Contact

Have a question, comment, or suggestion?

[hello@branchfurniture.com](mailto:hello@branchfurniture.com)  
[branchfurniture.com](http://branchfurniture.com)

# Branch