

Focal Sofa

Assembly Guide

Branch

The new way of working you've been waiting for.

Scan here for a digital copy
of your assembly guide.

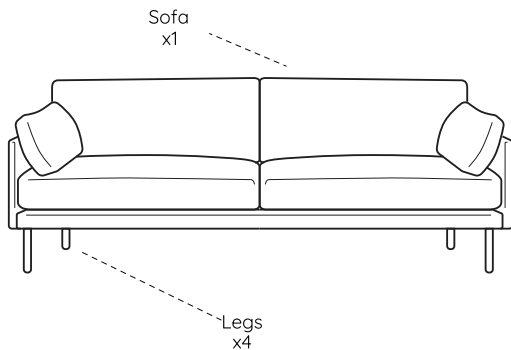




Caution

- Make sure to read the guide completely before assembling.
- Do not use this chair as a step stool/ladder, or on uneven floor surfaces.
- Do not sit on any part of the sofa except the seat cushions.
- Do not use sofa unless all bolts, screws, and knobs are tightened.
- Every six months, please make sure all bolts, screws, and knobs are fully tightened to ensure stability.
- If any parts are missing, broken, damaged, or worn, stop use of the product until repairs are made using Branch authorized parts.
- Failure to follow these warnings could result in serious injury.

Components



Included Hardware

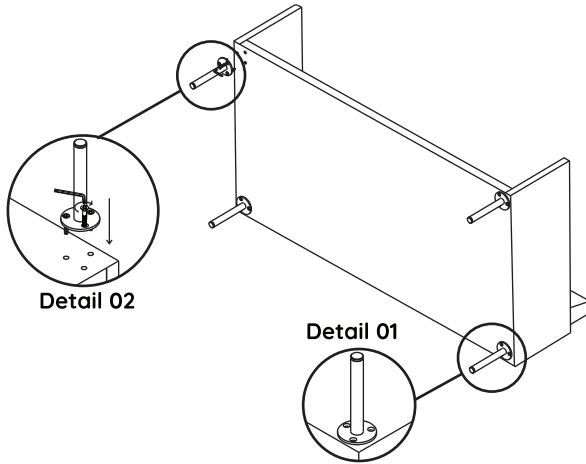


Leg Bolts
x12



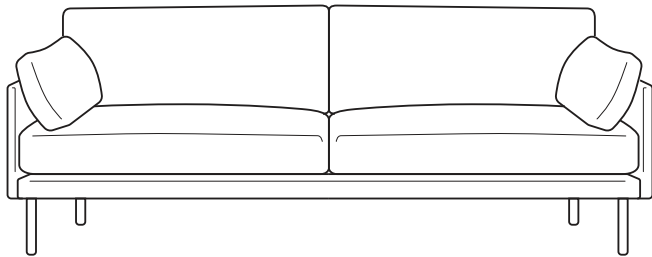
Allen Key
x1

1



Carefully place the **Sofa** (x1) on its back with a friend on clean ground (it may be helpful to lay a piece of plastic from the box or towel on the floor to prevent staining the sofa). With the sofa on its back, align the **Legs** (x4) with the holes at the bottom of the sofa, see Detail 01. Next, Use **Leg Bolts** (x12) and **Allen Key** to attach the **Leg**, see Detail 02. Finally, Attach the remaining **Legs** by following the steps 1-2.

2



With a friend, carefully flip the Focal Sofa over.

Contact

Have a question, comment, or suggestion?

hello@branchfurniture.com
branchfurniture.com

Branch