

Guest Chair

Assembly Guide

Branch

The new way of working you've been waiting for.

Scan here for a digital copy
of your assembly guide.

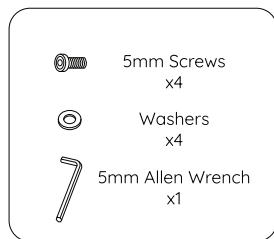
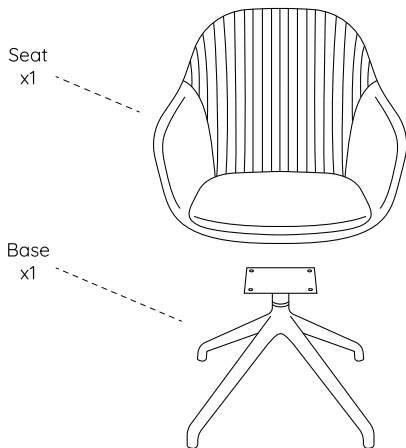




Caution

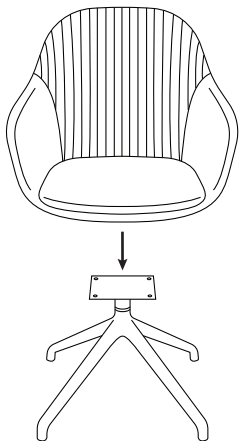
- Make sure to read the guide completely before assembling.
- Use this product only for seating one person at a time.
- Do not use this chair as a step stool/ladder, or on uneven floor surfaces.
- Do not sit on any part of the chair except the seat.
- Do not use chair unless all bolts, screws, and knobs are tightened.
- Every six months, please make sure all bolts, screws, and knobs are fully tightened to ensure stability.
- If any parts are missing, broken, damaged, or worn, stop use of the product until repairs are made using Branch authorized parts.
- Failure to follow these warnings could result in serious injury.

Components

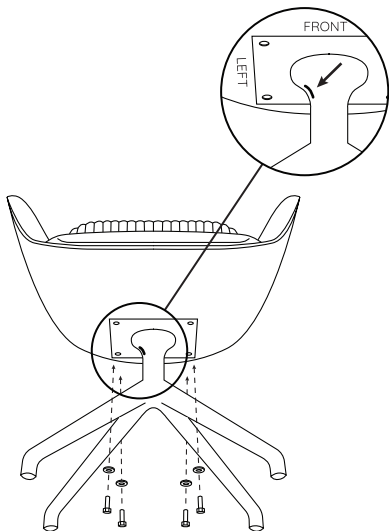


1

①



②



Carefully position the Seat (x1) on top of the Base (x1). Ensure the orientation hole on the base is facing left as shown. Attach the the seat using the Screws (x4) and Washers (x4). Tightly secure using the 5mm Allen Wrench.

Contact

Have a question, comment, or suggestion?

hello@branchfurniture.com
branchfurniture.com

Branch