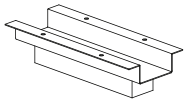


In-Desk Power

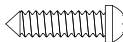
Assembly Guide

Branch

Components

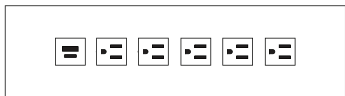


Power Unit (x1)



Screws (x4)

Specifications



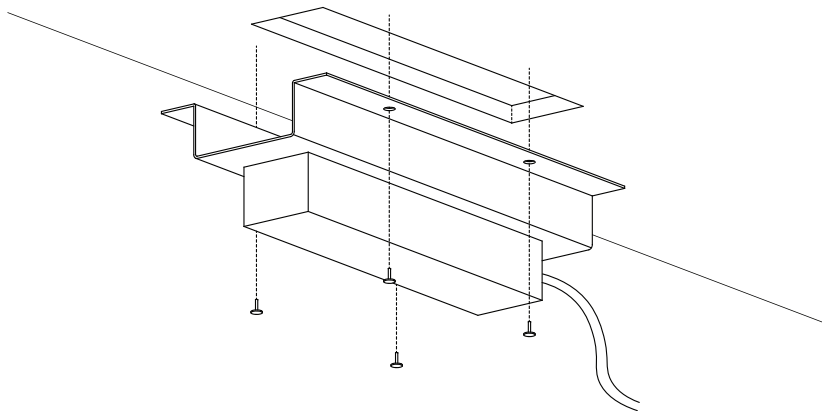
Outlets: 5 (120v/60hz)

USB Ports: 2 (one 5V 2.4A USB-A port and one PD 45W USB-C port)



Caution

- Do not connect the power strip to an ungrounded outlet.
- Do not use the power strip with 2-wire extension cords or adapters.
- This power strip is designed for indoor use only. Install the power strip away from heat-emitting appliances such as radiators or heat registers.
- Do not install where excessive moisture is present.
- Do not plug extension cords into the power strip.
- Do not drill into any part of the housing or open the housing for any reason. There are no user-serviceable parts inside.



To install the in-desk power unit: screw in the Power Unit using Screws (x4) under your Branch desktop following the four pre-drilled holes surrounding the cut out. Plug in the power cord to the wall—you're now all set!

Contact

Have a question, comment, or suggestion?

hello@branchfurniture.com
branchfurniture.com

Branch