

Office Desk

Assembly Guide

Branch

The new way of working you've been waiting for.

Scan here for a digital copy
of your assembly guide.

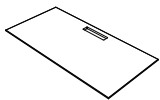


Caution

- Make sure to read the guide completely before assembling.
- Check that all components are present before you start the assembly process.
- Use extra caution when assembling this product and have someone assist you. Do not change the specifications, modify this product, or use for any other purpose beyond its intended use as a table.
- Do not sit or stand on the table frame. Do not crawl or lie under the table frame.
- Do not open or modify any of the power components. Doing so risks electric shock and voids any warranty claims.

Components

48" x 24"



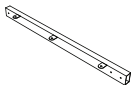
Desktop (x1)



Bracket (x2)



Leg (x4)



Beam (x1)

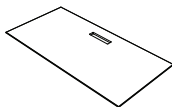


Table Frame
Screws (x16)



Table Top
Screws (x7)

60" x 30"



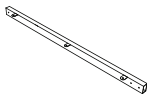
Desktop (x1)



Bracket (x2)



Leg (x4)



Beam (x2)



Table Frame
Screws (x16)

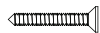
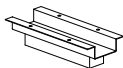


Table Top
Screws (x12)

In-Desk Power
(Optional)

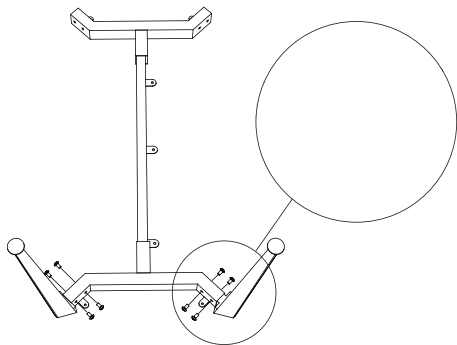


Power
Unit (x1)

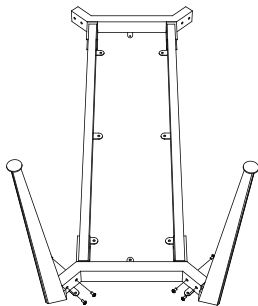


Screws
(x4)

1



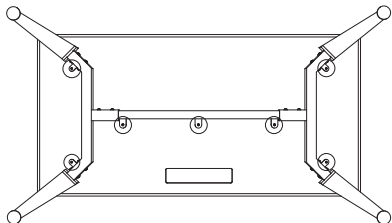
48" x 24"



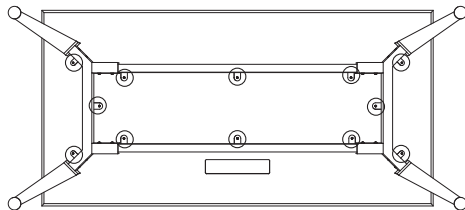
60" x 30"

Carefully lay the preassembled Desk Frame upside-down on a large flat surface. Using four Table Frame Screws per Leg, attach the legs to each angled opening in the Bracket. The legs should sprout outwards, opposite the eyelets.

2



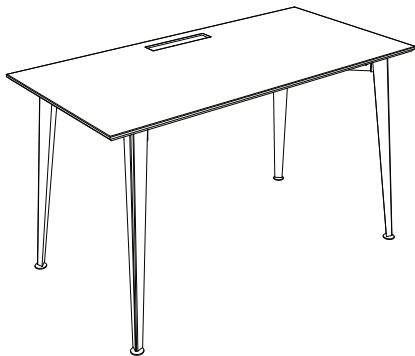
48" x 24"



60" x 30"

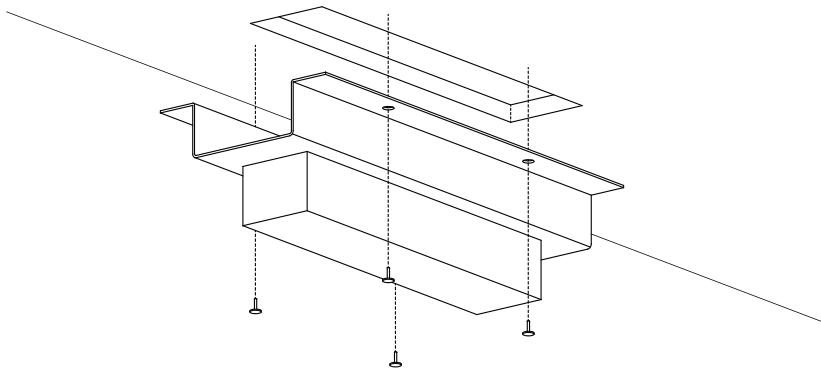
Carefully lay the Desktop upside-down on a large flat surface. With a friend, place the assembled frame onto the desktop, aligning the frame eyelets to the desktop pilot holes. Use seven (twelve) Table Top Screws to affix the smaller (larger) top to the base. Use the pre-drilled holes on the corners of the desk to center and secure your desk to the base. The center screws are optional, and can be screwed directly into the desktop.

3



With help from a friend, grab the main frame of your desk and flip upright.

4 (optional)



To install the in-desk power unit: Screw in the Power Unit using Screws under the Desktop following the four pre-drilled holes surrounding the cut out. Plug in the power cord to the wall—you're now all set!

Contact

Have a question, comment, or suggestion?

hello@branchfurniture.com
branchfurniture.com

Branch