

# Oppo Lounge Chair

Assembly Guide

**Branch**

# The new way of working you've been waiting for.

Scan here for a digital copy  
of your assembly guide.

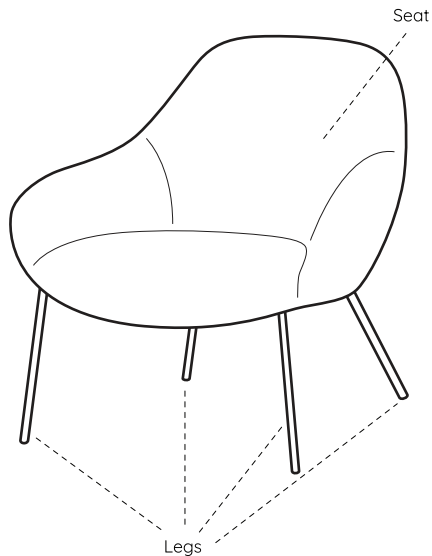




# Caution

- Make sure to read the guide completely before assembling
- Some screws may be preassembled. If preassembled, ignore assembly instructions.
- Do not use this chair as a step stool/ladder, or on uneven floor surfaces.
- Do not sit on any part of the chair except the seat.
- Do not use chair unless all bolts, screws, and knobs are tightened.
- Every six months, please make sure all bolts, screws, and knobs are fully tightened to ensure stability.
- If any parts are missing, broken, damaged, or worn, stop use of the product until repairs are made using Branch authorized parts.
- Failure to follow these warnings could result in serious injury.

# Components



## Included Hardware



Leg Screw  
x1



Base Screws  
x4



Washer  
x1

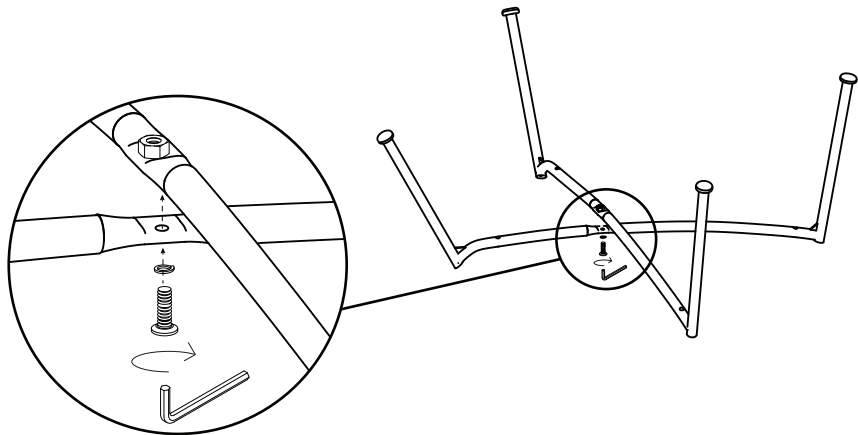


Nut  
x1



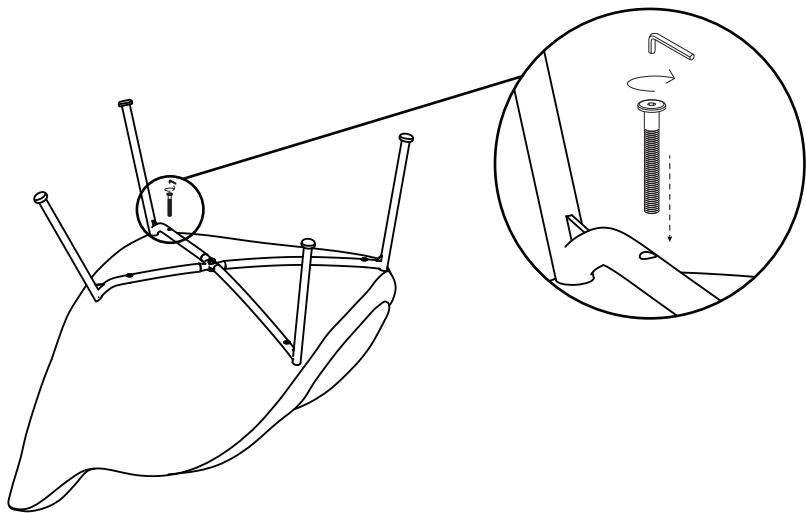
Allen Key  
x1

# 1



Attach **Legs** (x2) together with **Leg Screw** (x1) and **Washer** (x1). Insert and align with **Nut** (x1), securely tighten using the included **Allen Key**.

# 2



Align the holes in the **Legs** with the holes in the bottom of the **Seat**. Insert **Base Screws** (x4) and securely tighten with the included **Allen Key**.

# 3



With a friend, carefully flip the chair over.

# Contact

Have a question, comment, or suggestion?

[hello@branchfurniture.com](mailto:hello@branchfurniture.com)  
[branchfurniture.com](http://branchfurniture.com)

**Branch**