

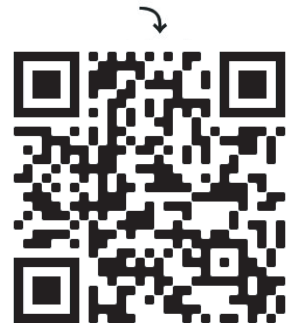
Task Chair

Assembly Guide

Branch

The new way of working you've been waiting for.

Scan here for a digital copy
of your assembly guide.

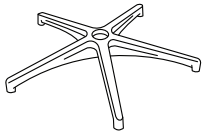




Caution

- Use this product only for seating one person at a time.
- Some screws may be preassembled. If preassembled, ignore assembly instructions.
- Do not use this chair as a step stool/ladder, or on uneven floor surfaces.
- Do not sit on any part of the chair except the seat.
- Do not use chair unless all bolts, screws, and knobs are tightened.
- Every six months, please make sure all bolts, screws, and knobs are fully tightened to ensure stability.
- If any parts are missing, broken, damaged, or worn, stop use of the product until repairs are made using Branch authorized parts.
- Failure to follow these warnings could result in serious injury.

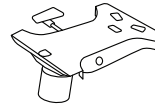
Components



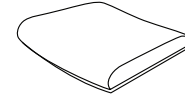
Star Base (x1)



Armrest (x2)



Mechanism (x1)



Seat (x1)



Backrest (x1)



Cylinder (x1)



Casters (x5)

Armrest Screws:



M6 x 45mm
(x4)



M6 x 35mm
(x2)

Base Screws:



M8 x 20mm
(x3)



M6 x 25mm
(x4)



Spring Washer
Large M8 (x3)
Small M6 (x4)



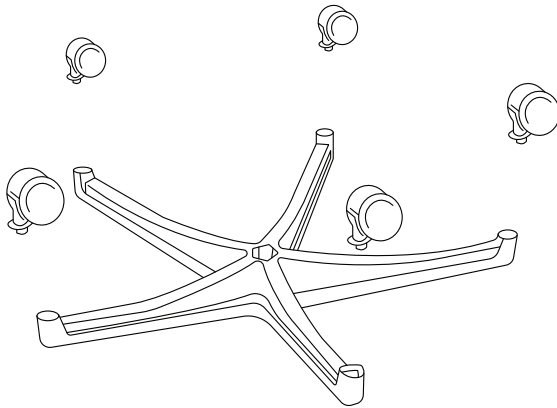
Flat Washer
M8 (x3)
M6 (x10)



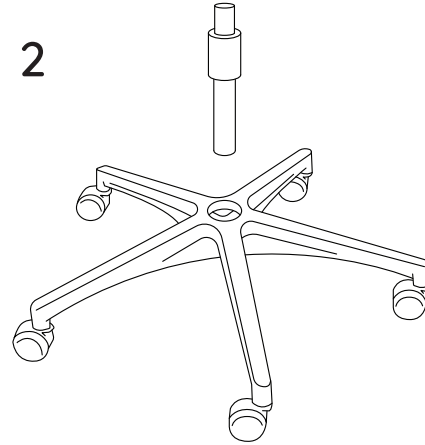
Allen Key
(x1)

1

1



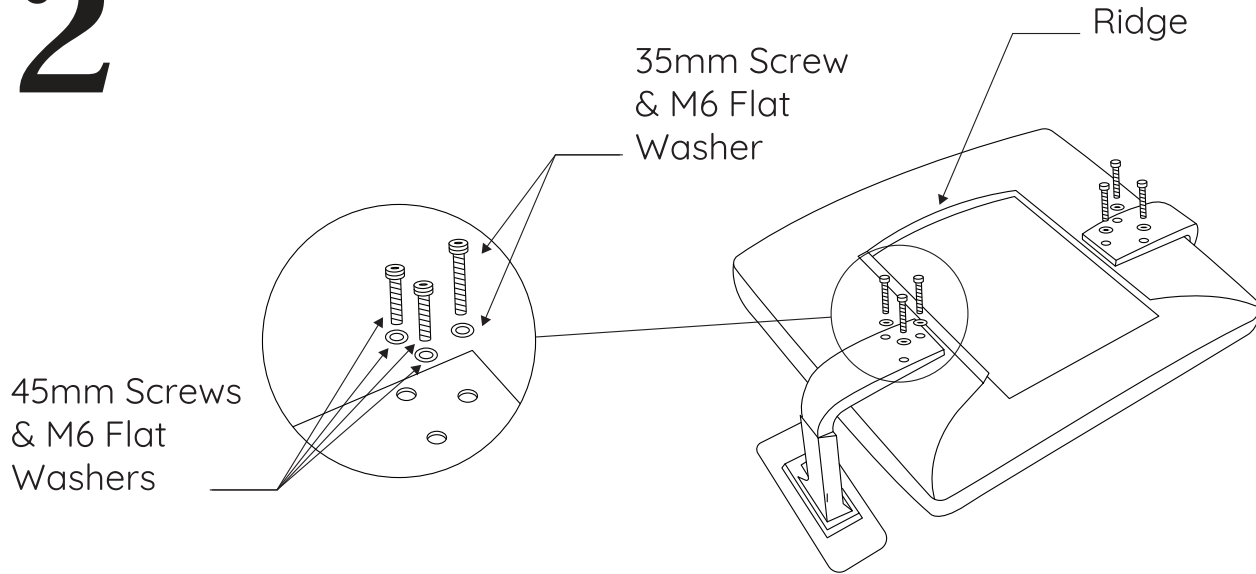
2



First, lay the Star Base upside down on the floor and press the Casters (x5) into each hole. Once completed, turn over so the Casters are on the floor and insert the Cylinder into the Star Base. No tools necessary.

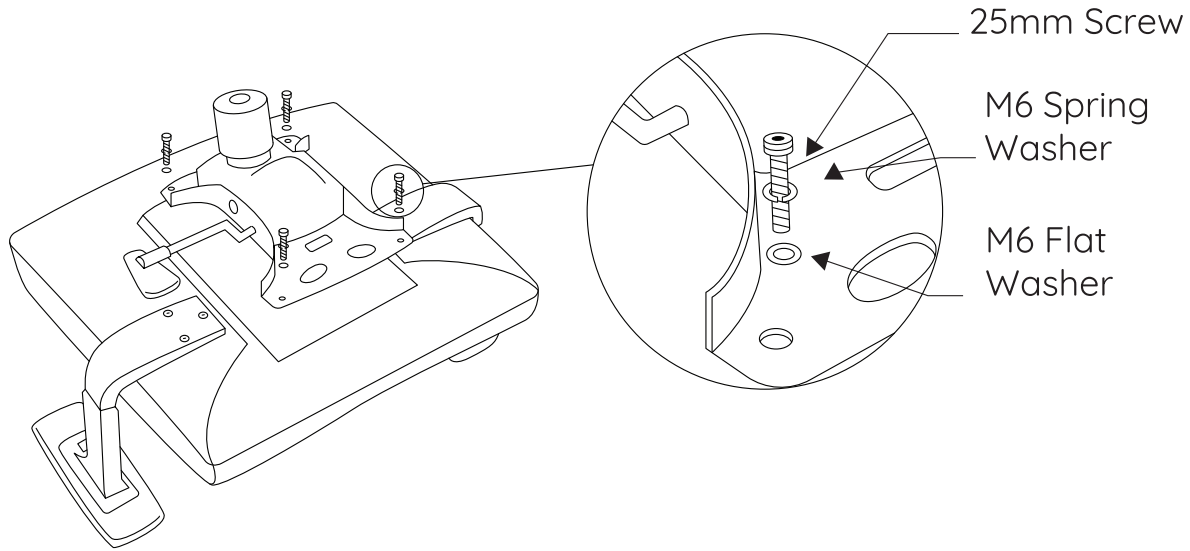
Set the assembled base aside for now - we'll get back to it later!

2



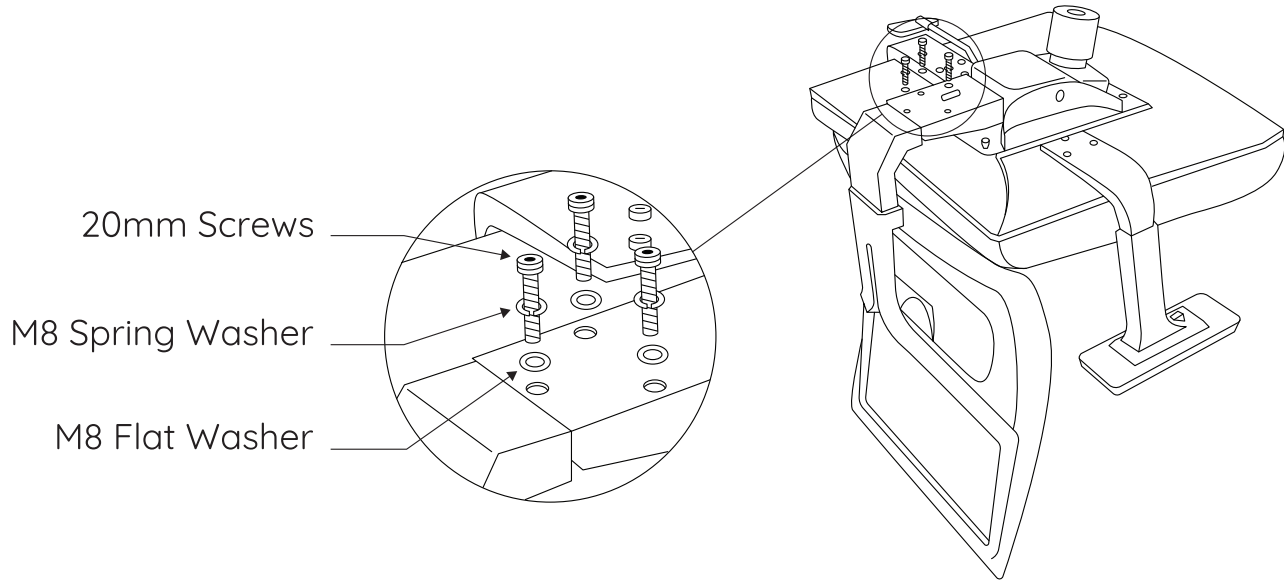
Turn the Seat upside down. Note that the front of the Seat is closest to the ridge (shown above). Align the first Armrest on the appropriate side - making sure the adjustment button faces front. Use one 35mm Screw (x2) and one M6 Flat Washer (x6) to join the Armrest to the Seat. Use two 45mm Screws (x4) and two M6 Flat Washers (x6) to finish connecting the Armrest. Repeat on other side.

3



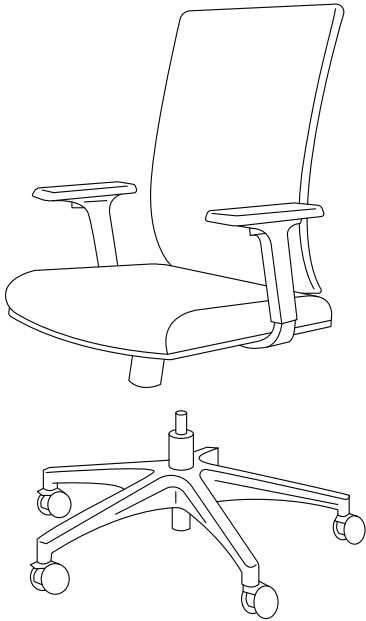
Take the Mechanism and align with the holes on the underside of the Seat. The tilt tension knob (on the Mechanism) should face the front of the Seat. Use four 25mm Screws (x4), four M6 Flat Washers (x4), and four M6 Spring Washers (x4) to fasten the Mechanism to the Seat.

4



Thread three 20mm Screws (x3) with three M8 Spring Washers (x3) and three M8 Flat Washers (x3). Use them to connect the Backrest to the Seat (start by hand-tightening all three screws, then use the Allen Key to tighten as hard as you can!). Ensure the Backrest is straight and fully secure.

5

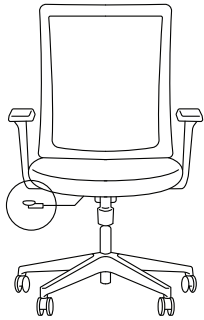


Take all completed parts of the Seat and insert it into the Cylinder. Push down firmly to secure. You're done!

User Guide

Seat Height & Seat Tilt:

Paddle-shaped lever on right side



Seat Height:

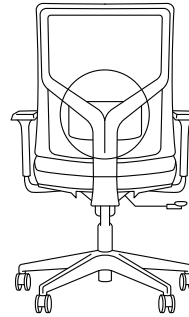
To raise seat, lift lever up while taking your weight off chair. To lower, lift lever up while seated.

Seat Tilt:

To recline, pull lever outwards. Push lever inwards to lock.

Lumbar:

Pad on back of chair

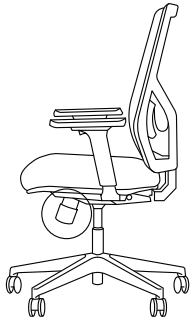


To adjust height:

Grasp lumbar with both hands and lift up or down at same time.

Tilt Tension:

Knob under seat

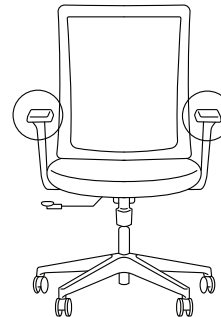


To adjust tension:

While seated, twist knob clockwise to tighten tension. To loosen, twist knob counterclockwise

Armrest Height:

Button under each armrest



To raise or lower:

While seated, push and hold button to raise or lower arm. Release button to lock.

Contact

Have a question, comment, or suggestion?

hello@branchfurniture.com
branchfurniture.com

Branch